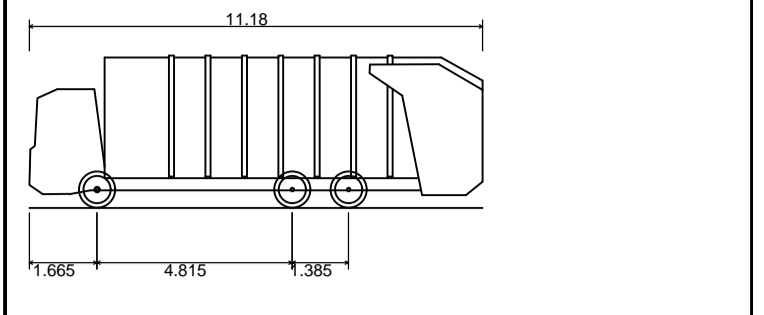


**NOTES**



Phoenix 2 One-Pass (with Elite 6x4 chassis)  
 Overall Length 11.180m  
 Overall Width 2.550m  
 Overall Body Height 3.760m  
 Min Body Ground Clearance 0.312m  
 Track Width 2.550m  
 Lock-to-lock time 4.00s  
 Curb to Curb Turning Radius 10.150m

C:\15-355 - Goffs Oak\Tech\Acad\Drawings\15-355-106 Access Proposals (full topo).dwg

Rev	Amendments	Dwn	Chk	App	Date

Elizabeth House  
 28 York Road  
 London  
 SE1 7NG

Telephone: 0207 620 2444  
 Fax: 0207 620 1168  
 E: enquiries@odysseymarkides.com  
 W: www.odysseymarkides.com

Job Title  
**FORMER ROSEMARY NURSERY,  
 CUFFLEY HILL, GOFFS OAK**

Drawing Title  
**ACCESS PROPOSALS**

Client  
**COUNTRYSIDE PROPERTIES**

Scale 1:150 @A1	Date 01/09/16	Designed HM
Drawn HM	Checked AKS	Approved AKS
Job No 15-355	Drawing No 15-355-106	Rev -